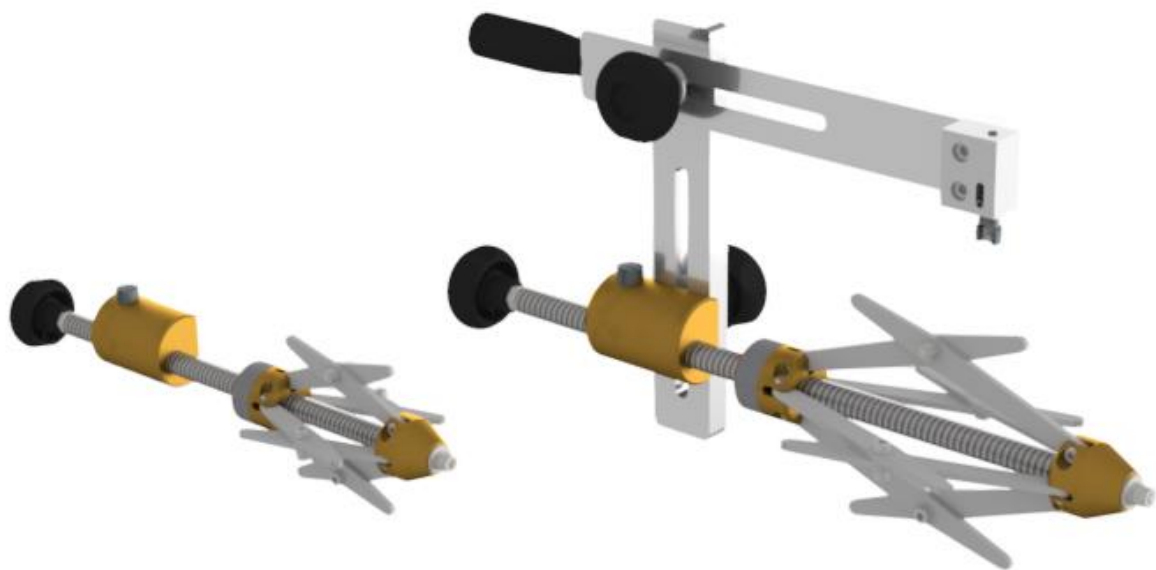
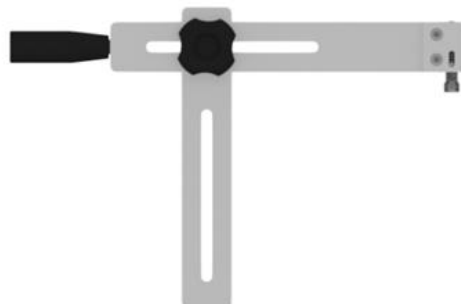
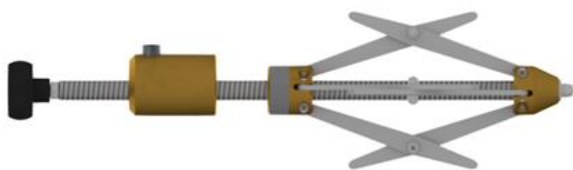


PIPE SCRAPER

Rotating scraper tool for thermoplastic pipes and fittings



The **SCR 180-315** is a mechanical rotating pipe scraper for PE and other thermoplastic materials pipes and fittings that guarantees to get pipes and fittings surfaces prepared before the electrofusion procedure by removing the oxide layer of the external surface. The working range goes from \varnothing 75 mm up to \varnothing 315 mm.



The SCR 180-315 is a combination of SCR 180 and SCR 315 and it is composed by:

- 1 pcs. of adjustable arm with the scraper blade holder
- 1 pcs. of expander kit for diameters \varnothing 75 ÷ 180 mm
- 1 pcs. of expander kit for diameters \varnothing 160 ÷ 315 mm

The scraper is supplied in a plastic case.

TECHNICAL FEATURES

Welding range	\varnothing 75 ÷ 315 mm
Dimension	450 x 250 x 70 mm
Weight	3,1 kg
Blade width	0,4 mm
Scraping dept	0,2 mm
Scraping length	170 mm